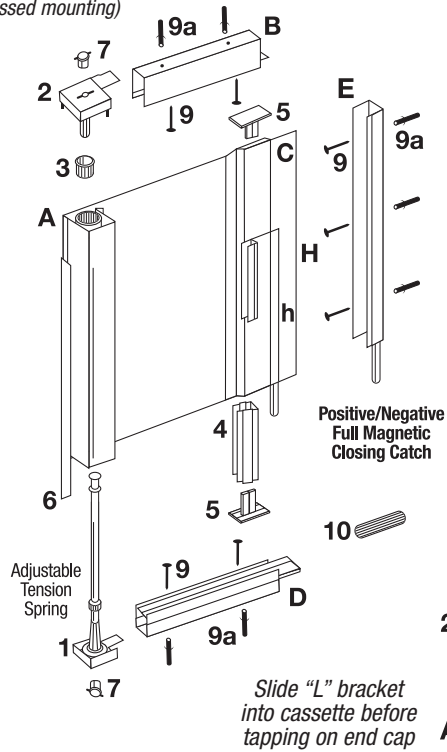


**Fig. 1a**  
**Inside Frame Mounting**  
*(recessed mounting)*

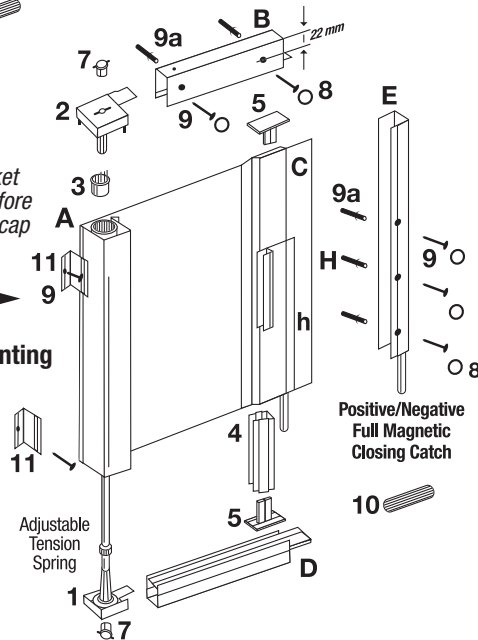


**Horizontal Sliding Screen Basic Components**  
**A)** Cassette - screen inside  
**B & D)** Tracks with dual pile  
**C)** Cassette screen pull bar  
**E)** Magnetic side channel

- ACCESSORIES**
- ① End cap with spring
  - ② End cap with no spring
  - ③ Nylon roller insert
  - ④ Pull bar (2) handles
  - ⑤ Pull bar end caps
  - ⑥ Pile for cassette
  - ⑦ Plug for end cap
  - ⑧ Plugs to close cap holes
  - ⑨ Fixing screws
  - ⑩ Molly for masonry
  - ⑪ Track pile opener
  - ⑫ "L" Bracket outside mount

Positive/Negative Full Magnetic Closing Catch

**Fig. 1b**  
**Outside Frame Mounting**  
*(surface mounting)*



Positive/Negative Full Magnetic Closing Catch

**Kits are partially assembled!**

**ScreenEx®**

**Do-It-Yourself Screen Kits**

ph: (203) 720-1299 • fax: (203) 723-1300

or visit our website at [www.screenex.com](http://www.screenex.com)

© copyright 2009, ScreenEx®

# ScreenEx® I

## Side Pull Screen Kits

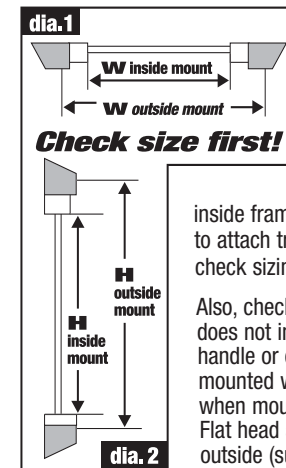
# INSTALLATION INSTRUCTIONS

### HAND TOOLS NEEDED:

- MEASURING TAPE
- MITER BOX
- RUBBER Mallet
- LEVEL
- METAL SAW\*
- POWER DRILL
- SCREWDRIVER\*\*
- PLIERS
- DRILL BITS 3mm, 6mm, 10mm
- SAFETY GLASSES

\* or power saw with 60+ tooth carbide blade  
 \*\* and/or Phillips head bit with 4" shaft for using drill for driving screws

### BEFORE YOU START:



Tracks clip onto the endcaps of the cassette. There is very little tolerance for the length of the tracks. We strongly advise that window/door measurements are checked carefully. Size is determined by mounting style, outside frame vs. inside frame (Dia. 1 & 2). You may want to attach tracks to cassette in order to check sizing needs.

Also, check that the mounting position does not interfere with your door or window handle or operation. ScreenEx® can be mounted with cassette facing in or out when mounted inside frame (see dia. 3). Flat head screws are recommended for outside (surface) mounting. The number of screws is determined by length of track,

2 to 3 screws per track is common. Installing on masonry requires Mollys and 6mm bit. Always deburr metal after cutting and drilling to insure your screen operates smooth and easy.

For inside mount (recessed) review Fig.1a (side pull) and Fig 2a (pull down). For outside mount review Fig 1b (side pull) and 2b (pull down). Parts are illustrated and numbered for your convenience. There are minor differences for installation of inside vs. outside mounting styles. The illustrations show the change in position of screws and mounting accessory ("C" clip vs. "L" bracket). After becoming comfortable with parts and mounting begin by checking size of cassette and go to step 1.

*instructions continued on next page...*

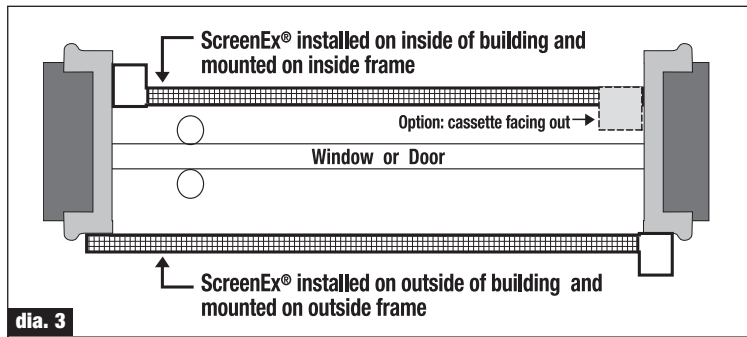


**MISSING PARTS? NEED HELP?**  
**DO NOT RETURN MERCHANDISE TO THE STORE.**  
**CALL CUSTOMER SERVICE FIRST!**

**203-720-1299**

We provide answers to installation questions

Monday-Friday 9-5PM Eastern Standard Time



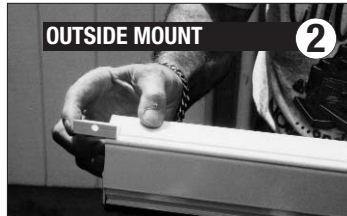
For the screen to work properly **this kit must be installed square and level.**

**DEBUR METAL parts after cutting or drilling.**

*Be aware - some instructions are only for inside mount and some are only for outside mounting styles. Read Instructions carefully!*



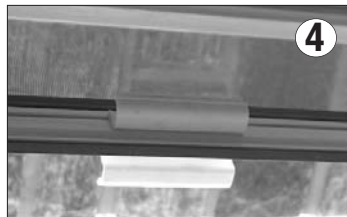
Cut cassette if needed. Do not cut on angle. Deburr cut area.



Slide "L brackets" into groove on cassette for **outside mounting** only.



Put on (#3) roller insert and tap on (#2) endcap.



Slide two (#4) Pull bar handles into (C) cassette pull bar. Position handles back to back for inside & outside operation.



At this time you may want to assemble unit to check fit in mounting space. Snap track to cassette to check length needed.



Cut tracks if too long. Be sure it is square not on angle. Deburr cut area.



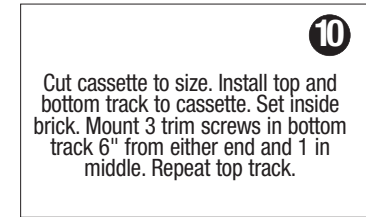
Pinch ends of track to secure pile. [For outside mount tap on (#5) endcaps.]



For **outside mount**, drill tracks with 3mm bit. [For inside mount skip to 10]



For **outside mount** only, enlarge outside hole with 10mm bit for adding button.



Cut cassette to size. Install top and bottom track to cassette. Set inside brick. Mount 3 trim screws in bottom track 6" from either end and 1 in middle. Repeat top track.

**Before securing screen in place, check that it will not interfere w/door or window hardware**



Check and make cassette level. (For inside mount skip to step 13.)



**Outside mount**, screw "L" brackets to wall keeping cassette level.



Snap tracks into cassette (and for inside mount snap in side channel into tracks). (Inside mount skip to step 15.)



For **outside mount**, screw tracks into place keeping them level and square then skip to step 16.



For **inside mount**, drill and screw tracks and side channel keeping them level and square. **Then go to back cover.**



For outside mounted screens, pop in (#8) buttons to conceal mounting holes.