

ScreenEx® II·III·IV

Pull Down Screen Kits

INSTALLATION INSTRUCTIONS

Vertical Sliding Screen Basic Components
 A) Cassette - screen inside
 B) Tracks with dual pile
 C) Cassette screen pull bar

- ACCESSORIES**
- 1 End cap with spring
 - 2 End cap with no spring
 - 3 Nylon roller insert
 - 4 Pull bar (2) handles
 - 5 Pull bar end caps
 - 6 "C" Clips for inside mount

- 7 Plug for end cap
- 8 Plugs to close cap holes
- 9 Fixing screws
- 9a Molly for masonry
- 10 Track pile opener
- 11 "L" Bracket outside mount
- 12 Pile for cassette
- 13 Internal guide locks
- 14 Pull down cord & button

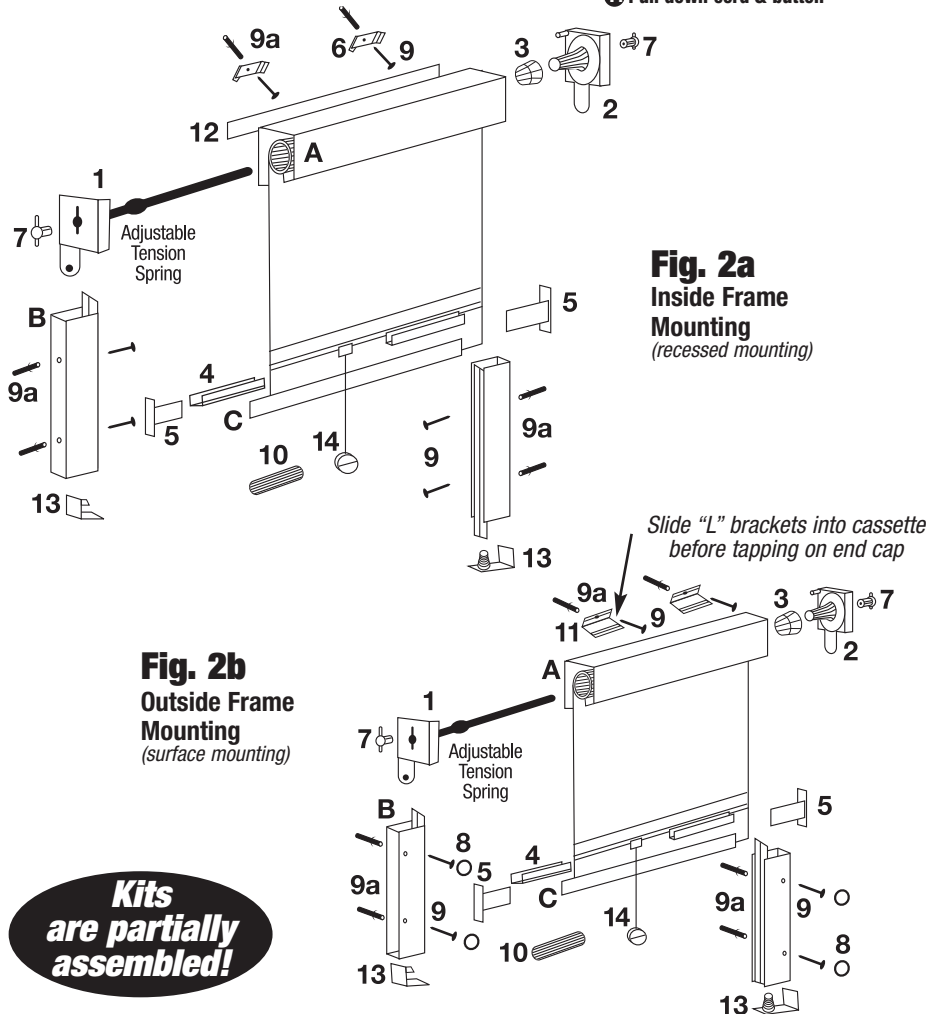


Fig. 2a
 Inside Frame Mounting
 (recessed mounting)

Fig. 2b
 Outside Frame Mounting
 (surface mounting)

Kits are partially assembled!

ScreenEx®

Do-It-Yourself Screen Kits

ph: (203) 720-1299 • fax: (203) 723-1300

or visit our website at www.screenex.com

© copyright 2009, ScreenEx®

HAND TOOLS NEEDED:

- MEASURING TAPE
- MITER BOX
- RUBBER Mallet
- LEVEL
- METAL SAW*
- POWER DRILL
- SCREWDRIVER**
- PLIERS
- DRILL BITS 3mm, 6mm, 10mm
- SAFETY GLASSES

* or power saw with 60+ tooth carbide blade
 ** and/or Phillips head bit with 4" shaft for using drill for driving screws

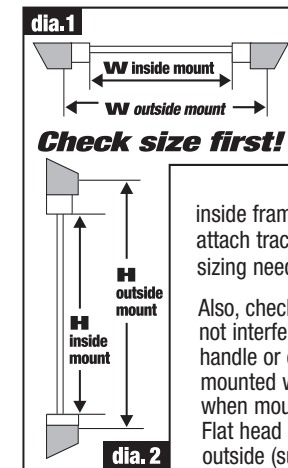
2 to 3 screws per track is common. Installing on masonry requires Mollys and 6mm bit. Always deburr metal after cutting and drilling to insure your screen operates smooth and easy.

For inside mount (recessed) review Fig.1a (side pull) and Fig. 2a (pull down). For outside mount review Fig. 1b (side pull) and Fig. 2b (pull down). Parts are illustrated and numbered for your convenience. There are minor differences for installation of inside vs. outside mounting styles. The illustrations show the change in position of screws and mounting accessory ("C" clip vs. "L" bracket). After becoming comfortable with parts and mounting begin by checking size of cassette and go to step 1.

instructions continued on next page...

BEFORE YOU START:

Tracks clip onto the endcaps of the cassette. There is very little tolerance for the length of the tracks. We strongly advise that window/door measurements are checked carefully. Size is determined by mounting style, outside frame vs.



inside frame (Dia. 1 & 2). You may want to attach tracks to cassette in order to check sizing needs.

Also, check that the mounting position does not interfere with your door or window handle or operation. ScreenEx® can be mounted with cassette facing in or out when mounted inside frame (see dia. 3). Flat head screws are recommended for outside (surface) mounting. The number of screws is determined by length of track,

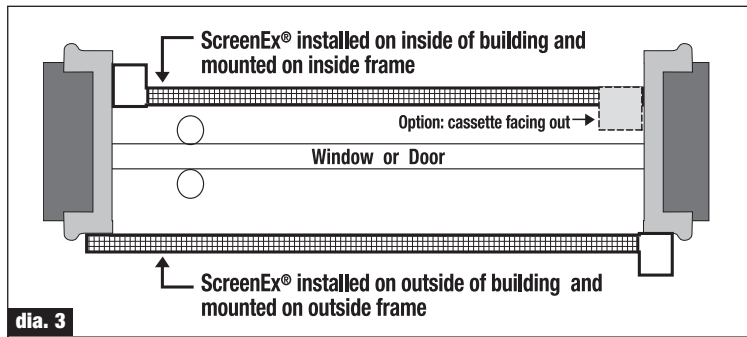


MISSING PARTS? NEED HELP?
DO NOT RETURN MERCHANDISE TO THE STORE.
CALL CUSTOMER SERVICE FIRST!

203-720-1299

We provide answers to installation questions

Monday-Friday 9-5PM Eastern Standard Time



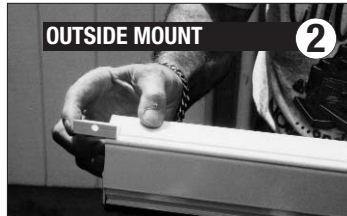
For the screen to work properly **this kit must be installed square and level.**

DEBUR METAL parts after cutting or drilling.

Be aware - some instructions are only for inside mount and some are only for outside mounting styles. Read Instructions carefully!



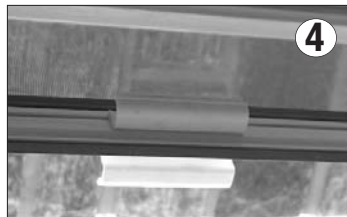
Put on (#3) roller insert and tap on (#2) endcap.



Slide two (#4) Pull bar handles into (C) cassette pull bar. Position handles back to back for inside & outside operation.



Slide two (#4) Pull bar handles into (C) cassette pull bar. Position handles back to back for inside & outside operation.



At this time you may want to assemble unit to check fit in mounting space. Snap track to cassette to check length needed.



Cut tracks if too long. Be sure it is square not on angle. Deburr cut area.



For **inside mount**, drill and screw tracks and side channel keeping them level and square. **Then go to back cover.**



For **outside mount** only, enlarge outside hole with 10mm bit for adding button.



For **inside mount**, drill and screw clip to inside of frame. Snap cassette into clips.



Check and make cassette level. (For inside mount skip to step 13.)



For **outside mount**, screw tracks into place keeping them level and square then skip to step 16.



For **outside mounted screens**, pop in (#8) buttons to conceal mounting holes.



For **inside mount**, drill and screw clip to inside of frame. Snap cassette into clips.



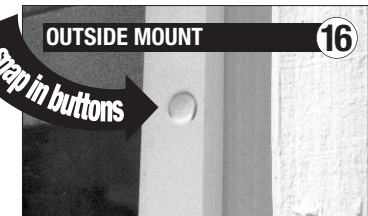
For **inside mount**, drill and screw clip to inside of frame. Snap cassette into clips.



For **outside mount**, screw "L" brackets to wall keeping cassette level.



For **outside mounted screens**, pop in (#8) buttons to conceal mounting holes.



For **outside mounted screens**, pop in (#8) buttons to conceal mounting holes.

Before securing screen in place, check that it will not interfere w/door or window hardware